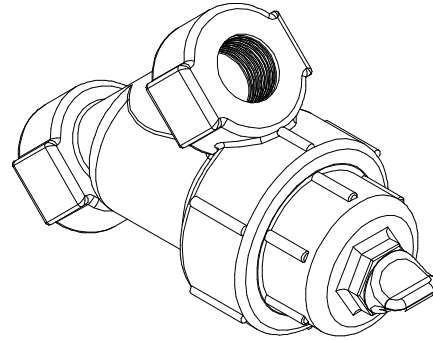
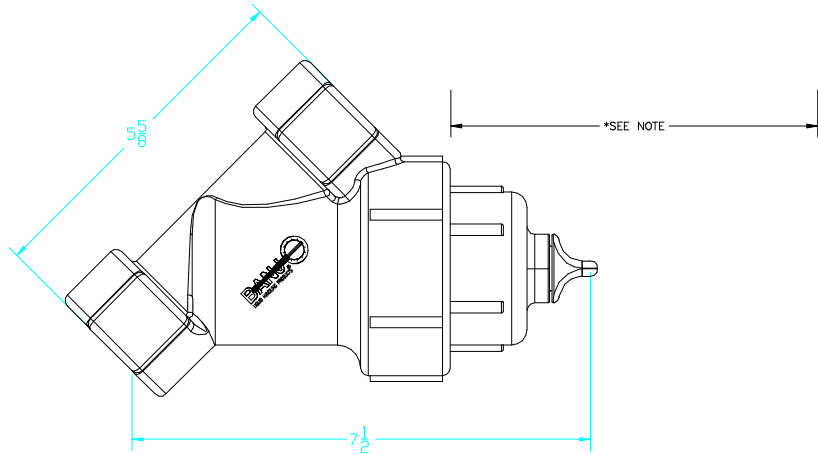
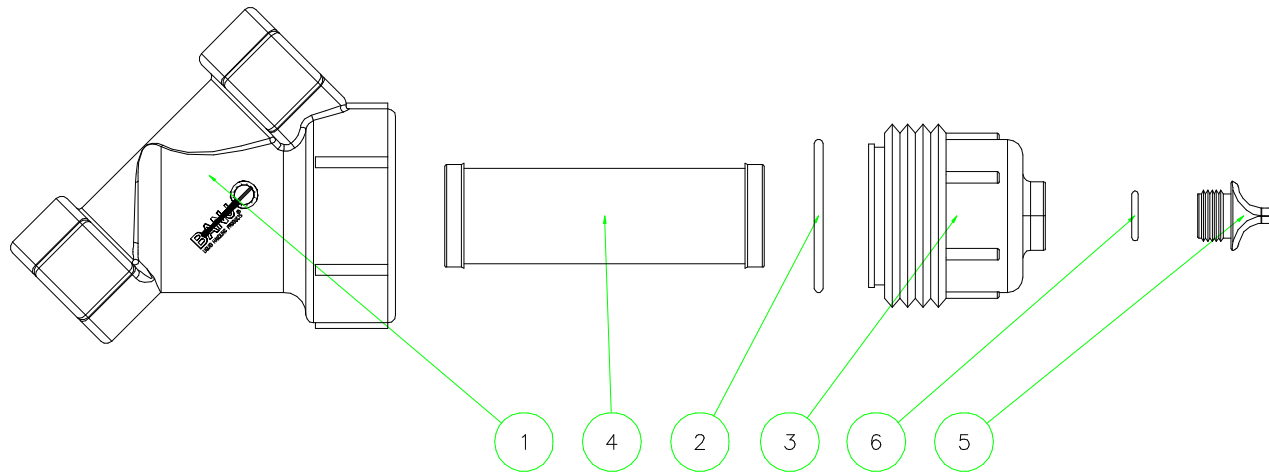


\*NOTE:  
 ADDITIONAL CLEARANCE REQ'D  
 FOR SCREEN REMOVAL: 5 1/4"



Parts List					
Item	Qty	Part No.	Description		
1	1	LS100B	LINE STRAINER BODY		
2	1	LS100G	LINE STRAINER GASKET		
3	1	LS100XC1	LINE STRAINER CAP		
4	1	LS120	LINE STRAINER SCREEN		
5	1	12777	DRAIN PLUG		
6	1	UV15163	PLUG GASKET		



BANJO CORPORATION  
 150 BANJO DR. \* CRAWFORDSVILLE, IN 47933

PART NO. LS100-20

TITLE  
 1" LINE STRAINER W/ #20 MESH SCREEN

THIS DRAWING AND ALL INFORMATION  
 CONTAINED THEREIN ARE THE EXCLUSIVE  
 PROPERTY OF BANJO CORPORATION.  
 UNLESS SPECIFICALLY NOTED, THIS  
 DRAWING AND ITEMS SHOWN ON THIS  
 DRAWING ARE SUBJECT TO CHANGE  
 AT ANY TIME.